



High-frequency transformer

RM10 Series

Parameters/Dimensions:

RM10 Type 1

Information:

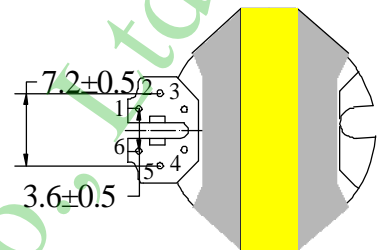
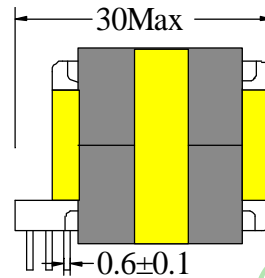
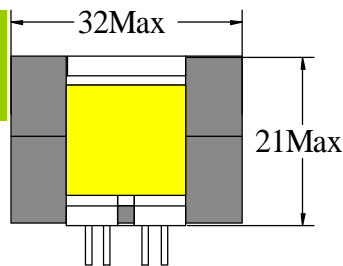
Shape: RM10

1 Power: 70W

2 Mounting Orientation: Vertical

3 Size: 32 (W) * 30(L) * 21 (H)

4 Effective Ae (mm²): 97.6



RM10 Type 2

Information:

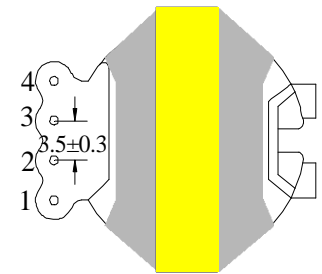
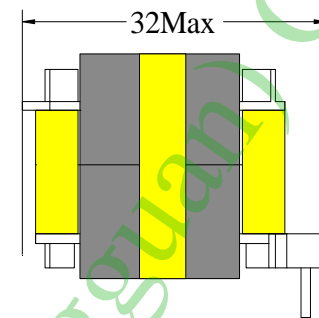
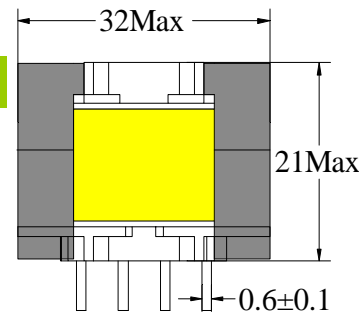
Shape: RM10

1 Power: 70W

2 Mounting Orientation: Vertical

3 Size: 32 (W) * 32(L) * 21 (H)

4 Effective Ae (mm²): 97.6



RM10 Type 3

Information:

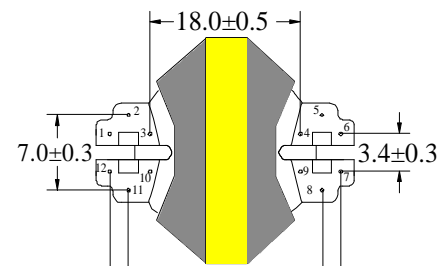
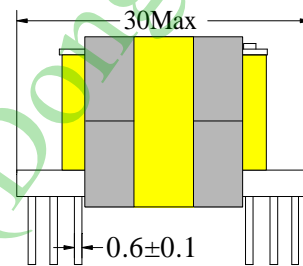
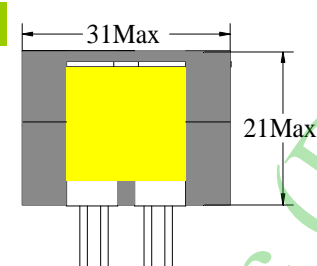
Shape: RM10

1 Power: 70W

2 Mounting Orientation: Vertical

3 Size: 31 (W) * 30(L) * 21 (H)

4 Effective Ae (mm²): 97.6



RM10 Type 4

Information:

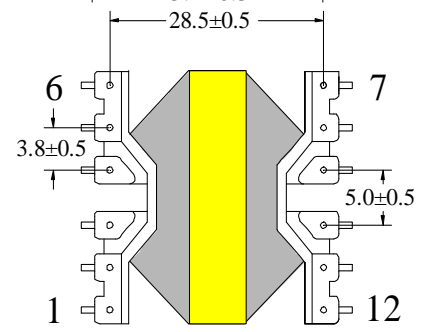
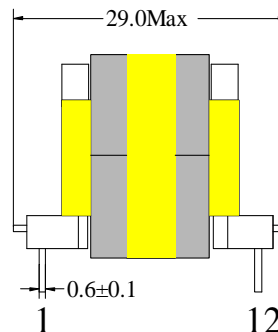
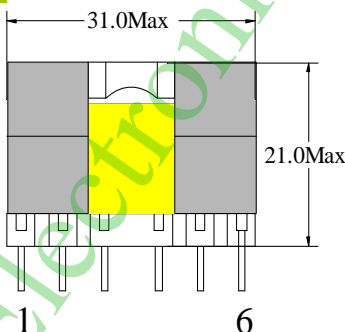
Shape: RM10

1 Power: 70W

2 Mounting Orientation: Vertical

3 Size: 31 (W) * 29(L) * 21 (H)

4 Effective Ae (mm²): 97.6



Note:

Bobbin type listed in the traditional style, transformer design parameters to customer needs or to inject prevail.

RM series high-frequency transformer features:

Magnetic shielding effect, anti-interference ability, magnetic flux leakage small, distributed capacitance low, skeleton with multiple pin, multiple output transformer can be designed, high-density mounting. However, poor heat dissipation, higher safety costs.

Uses:

Auxiliary power transformers, drive transformers, wideband transformers, carrier filter, high stability of the filter. Mainly used in carrier communication, networking, digital television, electronic equipment and other fields.